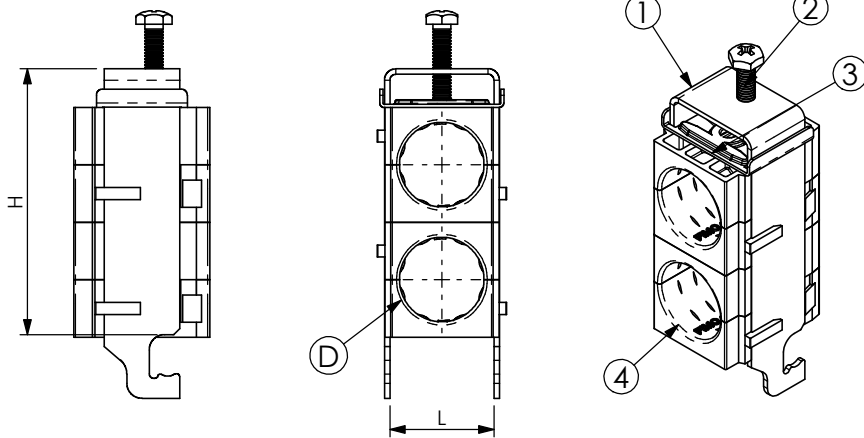


PRODUCT DATA SHEET



A) SPECIFICATIONS

- 1 Stainless steel bow
Hooking onsection 40x22,
flat and round 3-12mm
- 2 Self-locking pressure screw M6
- 3 Stainless steel sliding pressure plate.
- 4 SAS black P.A. fiberglass saddles

B) RESISTANCE TESTS

UV Test BS-ISO 105-B06
Vibration test conforming to UNI 60068-2-6
Operating temperature: -30°C +120°C

C) PACKAGING INFORMATION

Packing in boxes.
Label indicating:
product code, article, quantity,
production batch,
FIMO logo and figure.
(Customer code on request).

D) MOUNTING INSTRUCTIONS

IST026

CODE	ARTICLE	∅ D	L	H	BOX	WEIGHT
61 1558 0206	sRF E/ 2x6	5 - 6	12	33	50	70
61 1558 0207	sRF E/ 2x7	6 - 7	12	33	50	70
61 1558 0208	sRF E/ 2x8	7 - 8	12	33	50	70
61 1558 0209	sRF E/ 2x9	8 - 9	12	33	50	70
61 1558 0291	sRF E/ 2x9 M	9 - 10	12	33	50	70
61 1558 0210	sRF E/ 2x10	10 - 11	12	33	50	70
61 1558 0211	sRF E/ 2x11	10 - 11	22	63	50	103
61 1558 2012	sRF E/ 2x12	11 - 12	22	63	50	103
61 1558 0213	sRF E/ 2x13	12 - 13	22	63	50	100
61 1558 0214	sRF E/ 2x1.2" S (14)	13 - 14	22	63	50	105
61 1558 0238	sRF E/ 2x3/8" (16)	15 - 16	22	63	50	100
61 1558 0212	sRF E/ 2x1.2" (17)	16 - 17	22	63	50	99
61 1558 0258	sRF E/ 2x5/8" (23)	21 - 23	34	87	50	209
61 1558 0227	sRF E/ 2x7/8" S (27)	26 - 27	34	87	50	169
61 1558 0278	sRF E/ 2x7/8" (28)	27 - 28	34	87	50	169
61 1558 2178	sRF E/ 2x7/8" M (30)	29 - 30	34	87	50	159
61 1558 2118	sRF E/ 2x1.1/8" (38)	36 - 38	46	111	50	265
61 1558 2114	sRF E/ 2x1.1/4" (40)	39 - 40	46	111	50	252
61 1558 2148	sRF E/ 2x1.5/8" S (49)	48 - 49	58	72	25	363
61 1558 2158	sRF E/ 2x1.5/8" (52)	50 - 52	58	137	25	361
61 1558 2214	sRF E/ 2x2.1/4" (60)	59 - 60	70	161	25	431
61 1558 0262	sRF E/ 2x62	60 - 62	70	161	25	412

RI	DATE	DR	DATE	AP	Description:
02					Stainless cable clamps type sRF E For 2 coaxial cables, complete with 4 calibrated saddles. For articles see schedule.
01					
00	05/10/15	G.S.	05/10/15	A.V.	
1 ST EMISSION					
					Use: Hooking of 2 coaxial cables on section 40x22, flat and round 3-12mm.