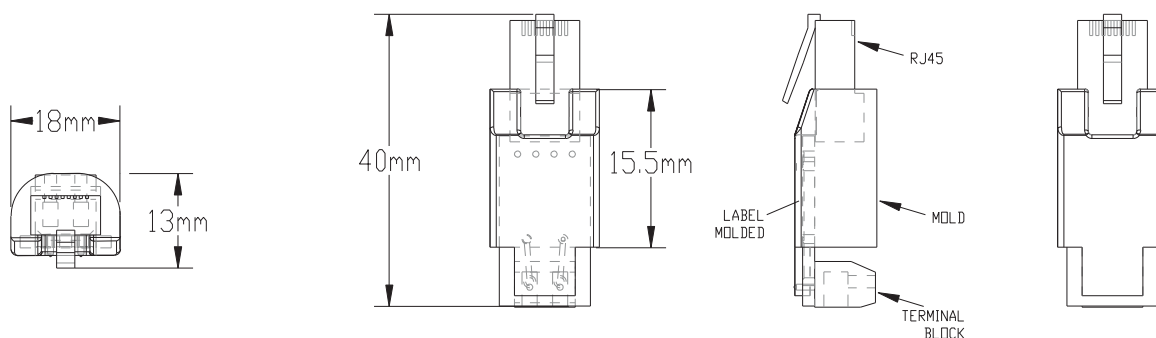


- DC terminals to RJ45 / PoE
- Direct interconnection
- All eight RJ45 contacts used
- No active component
- Floating ground
- Rich gold-plated RJ45
- Industrial screw terminals 1.5 mm<sup>2</sup>
- IEEE 802.3at, bt compatible



## Technical parameters

<b>Electrical</b>	
Max. voltage	60 VDC
Max. current	2.0 A total (on DC connector) 0.6 A per RJ45 pin
<b>Environmental</b>	
Operating temperature	- 40°C to +60°C
Operating humidity	5 to 95% non-condensing
Storage temperature	- 40°C to +80°C
<b>Mechanical</b>	
Dimensions	13 H x 18 W x 40 D mm (0.5 x 0.7 x 1.57 in)
Weight	10 g (0.02 lbs)
<b>Compliance</b>	
IEEE 802.3at, bt	Suitable for both, DC to PoE-In and PoE-Out to DC Left DC terminal to RJ45 pins: 1,2,4,5 (+) Right DC terminal to RJ45 pins: 3,6,7,8 (-)
ISO 8877	RJ45 with hard nickel-plated and 1.3 μm (50 μin) rich gold-plated contacts
RoHS	Yes

